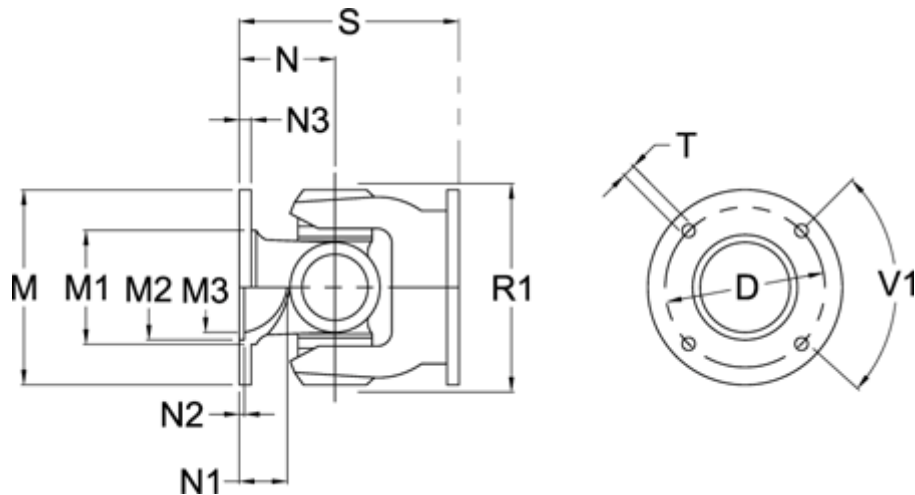


Article number: 07109401001

Description: Universal joint single 0.109.401.001  
S=84 X= Bore with keyway

## Measures



D	= 84 $\pm$ 0,1	N2	= 2,5 $\pm$ 0,3
Flange diameter M	= 100	N3	= 7
M1	= 66	Number og Flangeholes	= 6
M2	= 57	R1	= 86
M3	= 50	S min	= 84
Max. Bending Angle degrees	= 18	T	= 8 B12
N	= 42	V1 degrees	= 60
N1	= 20		